

Date:	Type:
Project Name:	Part Number:

PIR SENSOR HEAD

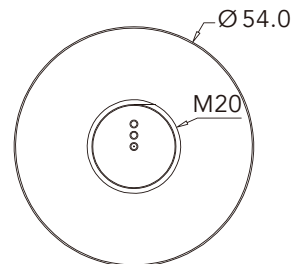
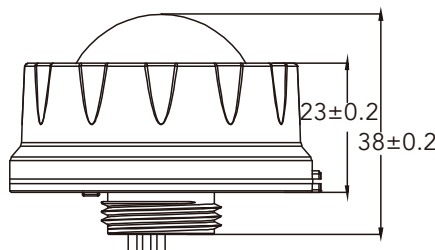
MODEL # R74002 RENO-SENSOR-PIR-H-EX



FEATURES

- PIR sensor head, 12VDC powered, remote control
- Bi-level dimming, daylight threshold and dusk/dawn function
- Compatible with RENO Strips, RENO VP, RENO Wrap
- For use at heights above 14ft. to maximum 39ft.
- With UL certificate

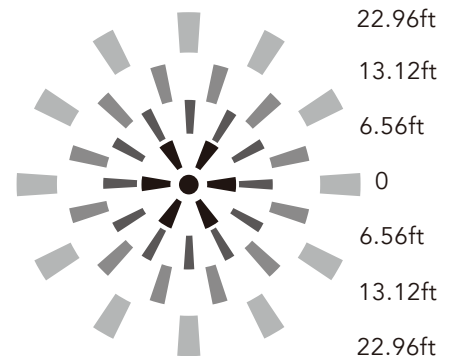
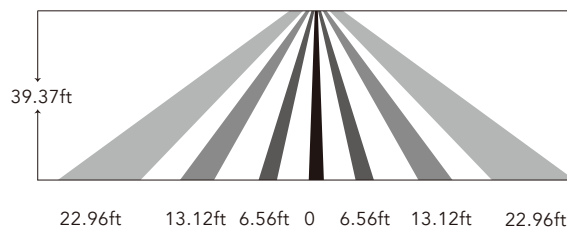
DIMENSION



DETECTION COVERAGE

Mounting Height
< 12m/39.37ft Ceiling Mounted

Detection Distance
Radius 3-7m/9.84-22.96ft



Date:

Type:

Project Name:

Part Number:

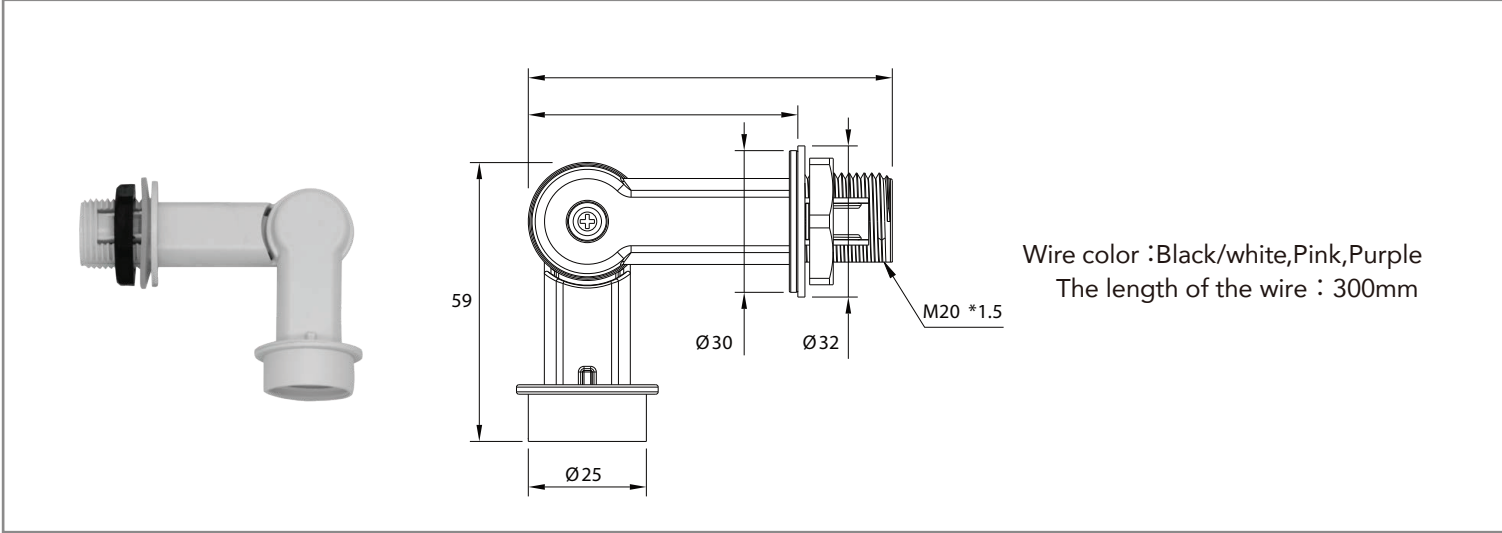
PARAMETERS

PIR INFORMATION	Infrared Wavelength	5-14um
	Output Signal Peak	≥3500mV
	Installation Height	12m/39ft Max.
	Detection Distance	≥3m/9ft
	Warranty	3 Years
	Detection Area	25%/50%/75%/100%
	Holdtime	5s/30s/1min/3min/5min/10min/20min/30min
	Daylight Threshold	Disable/ 2lux/ 10lux/ 30lux/ 50lux/ 80lux/ 120lux
	Standby Dimming Level	10%/20%/30%/50%
	Standby Period	0s/10s/30s/1min/5min/10min/30min/60min+ ∞
SENSOR PARAMETER	Dusk/Dawn Sensing/ Photocell	Daylight threshold as 30lux/ 50lux/ 80lux/ 120lux Standby period as + ∞; Standby dimming level as 10%/20%/30%
	Default Program	Detection Area - 100% Holdtime - 5S Daylight Threshold - disable Standby Period - 0S Standby Dimming Level - 10%
	Control	Standard Partner HD05R, the LCD screen display remote (purchase separately)
INPUT	Input Range	12VDC
	Voltage Range	10-15VDC
	Current	≥30mA
OUTPUT	Signal	DIM 0-10V
	Connection	12VDC input/ Black&White wire; DIM+/ Purple wire; DIM-/ Pink wire
	Stand-by Power	<30mA Power Consumption
ENVIRONMENT	Working Temp	-20°C~+60°C
	Storage Temp	-40 ~+80 Humidity: 85% (non-condensation)
CERTIFICATE & STANDARDS	Certification	UL (E529048)
	Environmental Requirements	In accordance with CE ROHS
	IP Rating	IP65
PACKAGE	Silk-Printing	Lasering
	Packing Description	1pcs/white neutral box
	Qty/ctn(pcs)	120
	Net Weight/pcs (kg)	0.05
	Gross Weight/CTN (kg)	6.6
	Carton Size (cm)	40*30*25



Date:	Type:
Project Name:	Part Number:

RECEPTACLE OPTIONS



WIRING DIAGRAM

